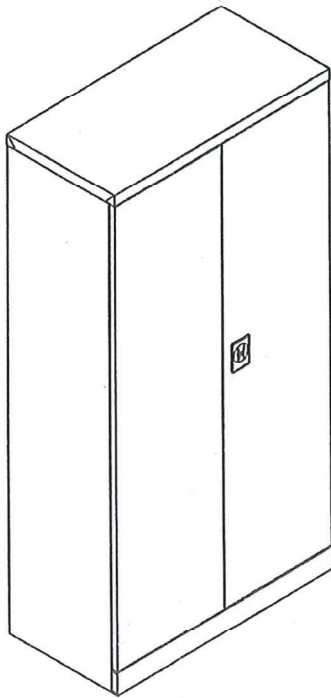


## STORAGE CABINETS

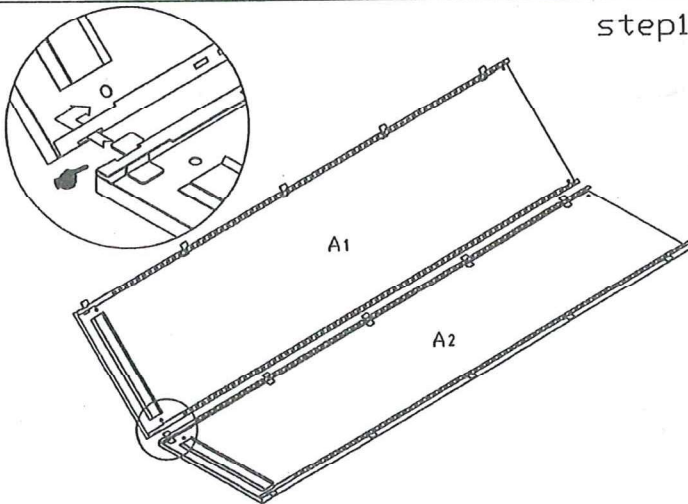
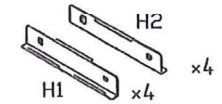
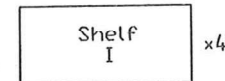
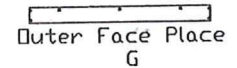
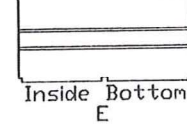
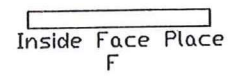
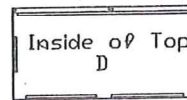
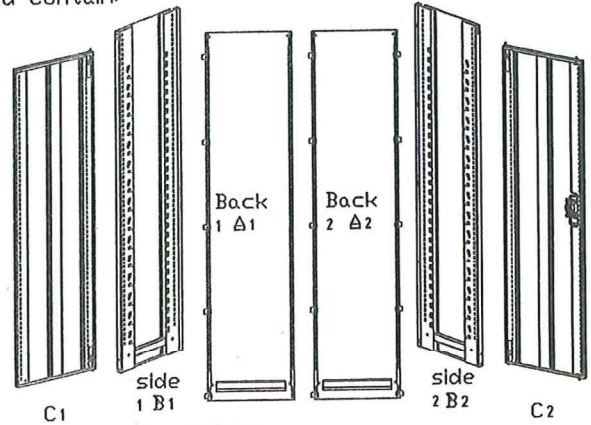
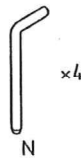
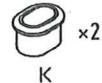
Necessary tools for assembly:

a star screwdriver

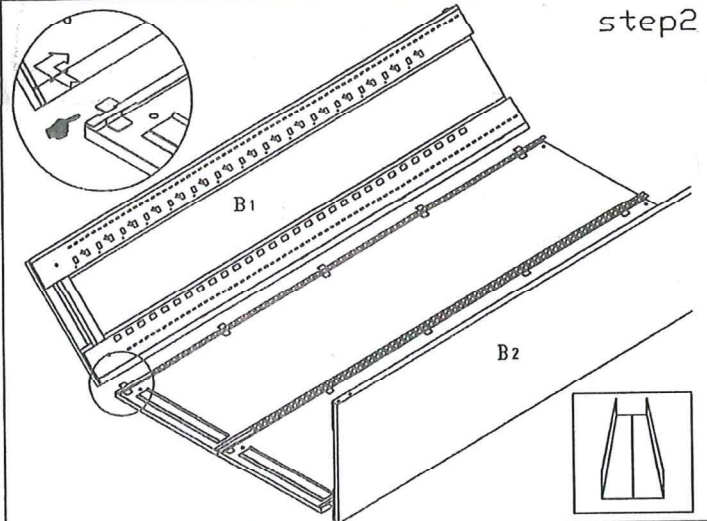
Your Package Should Contain:



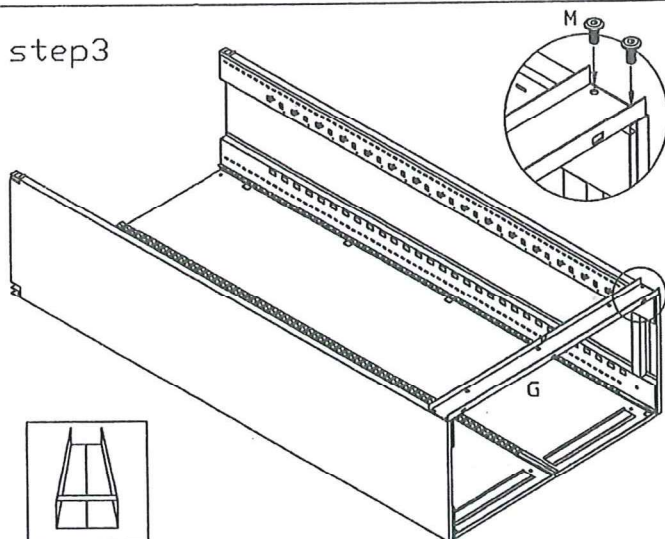
XB170-ZW



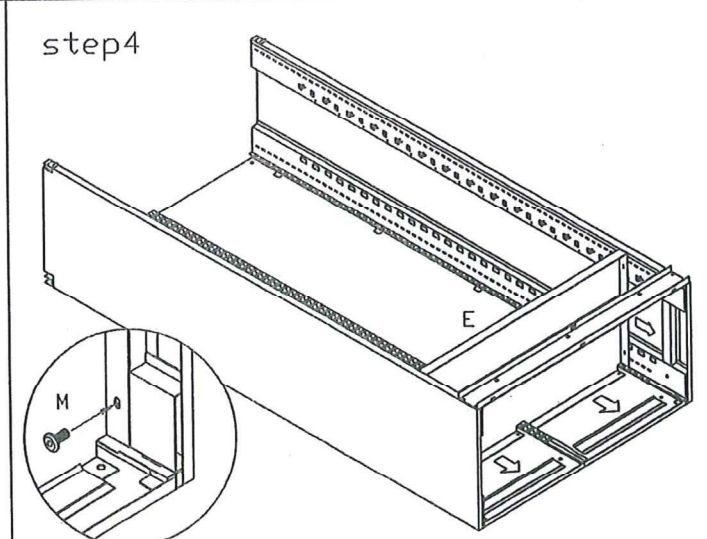
step1



step2

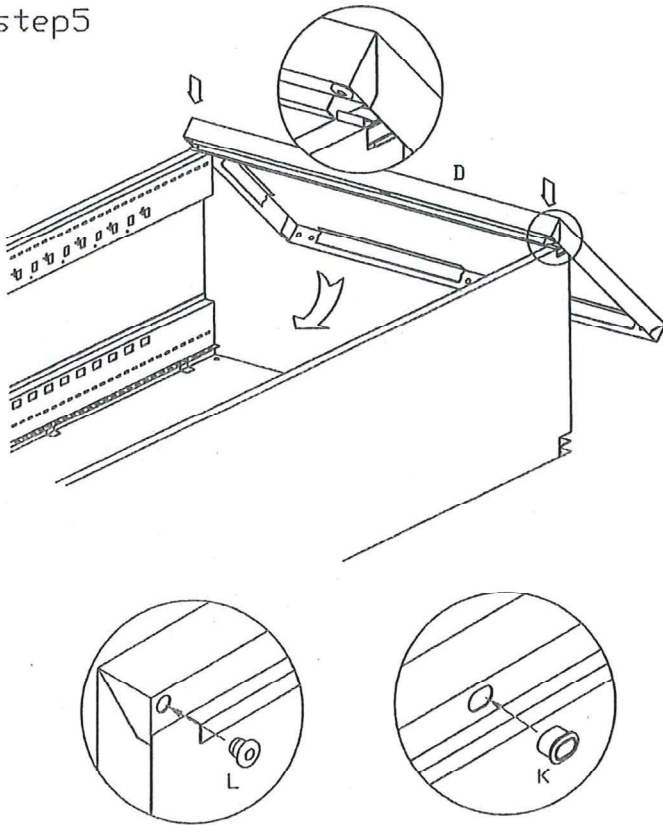


step3

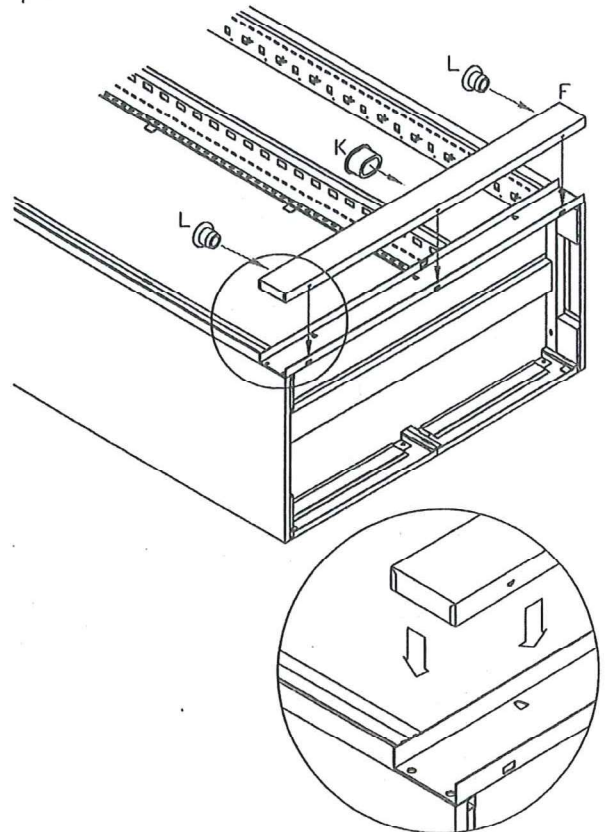


step4

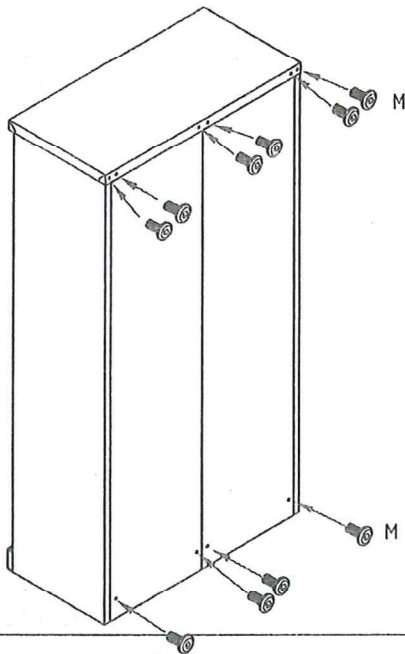
step5



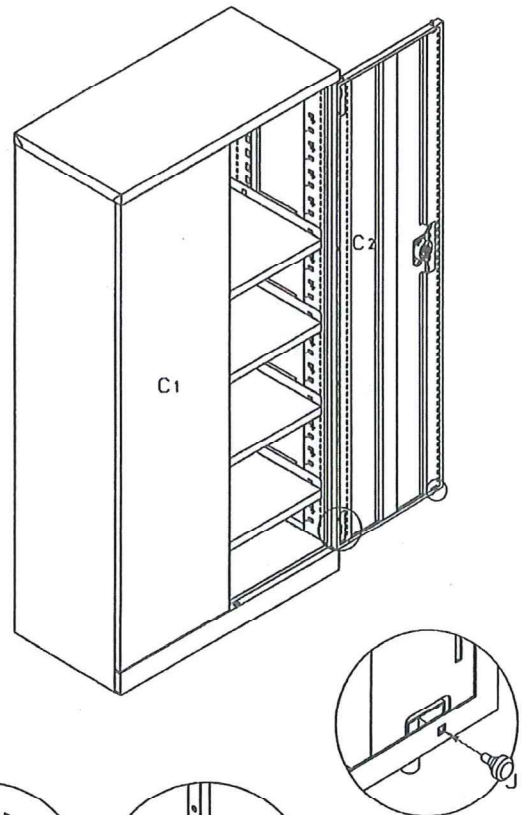
step6



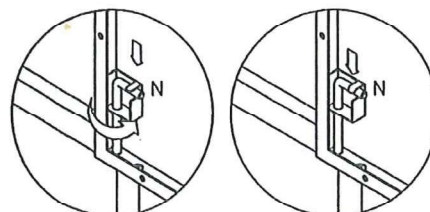
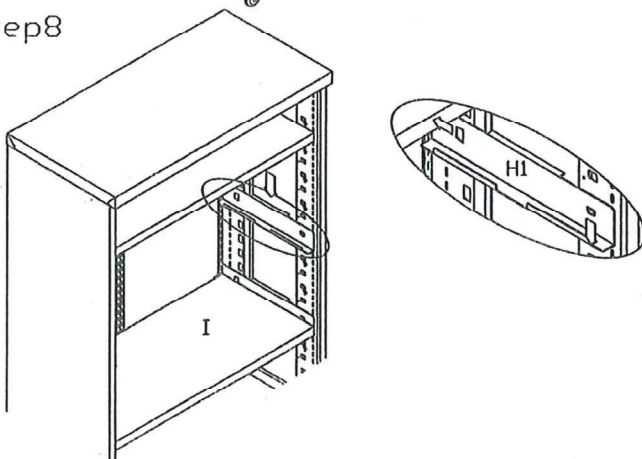
step7



step9



step8



# Instruction for Assembling the shelves

