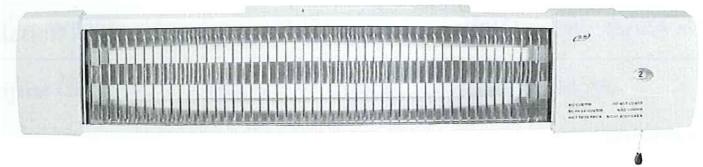




www.widmertools.ch

Quartz Heater



MODEL: Nr. 976450

230V~50Hz 1200W

Instructions for use

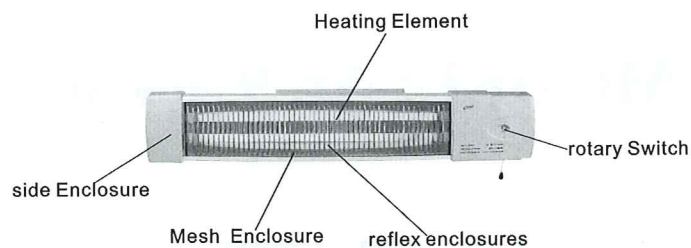
Brief introduction to products

This product is a new generation of products with utilization of concave principles and advanced designing and manufacturing technology. They are pleasing, easy to operate and safe and reliable with high thermal efficiency, small power consumption, and long service life. It is the ideal heating choice for homes, offices and cultural venues like small suns which transform a cold winter to be a warm spring.

Specifications

Model	Rating Voltage	Frequency	Rating Power
Nr. 976450	230V~	50/60Hz	1200W

Configuration



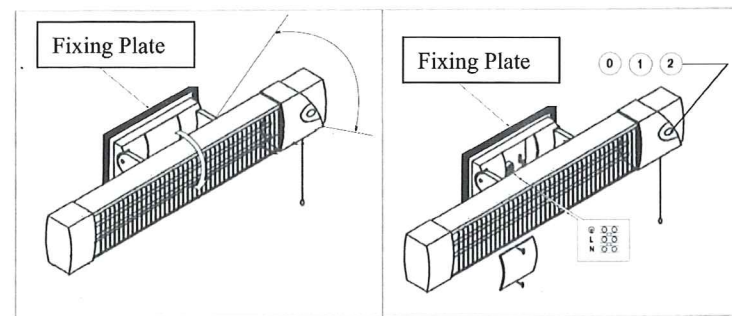
Nr. 976450

Instruction to Installation

- Open the box to take out the heater and fix the fixing plate of the base to the wall with screw (the distance of the heater from the ground should be over 1.8 m).
- After the installation, make sure if the heater is fixed firmly to the wall, and then plug in the power socket.

Instructions to use

- Power selection: pull the pullswitch: 0—OFF 1—600W 2—1200W
- Radiation angle adjustment: press or lift the reflection unit lightly to adjust the radiation angles and expand the radiation scope.



Security & Protection

1. The sockets of the heater must meet with the requirements for the heater and the socket of the heater must be well connected with earth.
2. The location of the heater should not be close to curtains or other inflammable articles, and the heater must not be located immediately below dripping clothes.
3. Do not use the heater in the surrounding like baths, swimming pools or other similar wet places to prevent fires or electric shocks.
4. Do not touch the fireguard or reflecting cover when the heater is in use; do not insert electric conductors or any objects into the fireguard to prevent high temperature scalding.
5. Never use the control of the heater, the programming control, timers and other controls that would automatically start up the heater together and avoid the heater to be covered and the wrong placement of the heater that may cause fire.
6. Avoid using the heater where there are children or disabled persons without being adequately supervised by a responsible person.
7. Never dismantle the components of the heater or replace the components with the ones that do not meet the safety requirements. If the supply cord is damaged, it must be replaced by the manufacturer or its service agents or a similarly qualified person in order to avoid a hazard.

8. The heater should be switched off and be disconnected from electric supply to avoid accidents when it is not being watched or not in use for a long time.
9. It is strictly prohibited that the heater is against walls or the top of heaters is overheated. The heater should keep a distance of 50cm from its top and other walls.
10. Customers should never dismantle the heater on their own or clean up the reflection cover which likely cause electrical shock.
11. The appliance is not intended for use by persons (including children) with reduced physical, sensory or mental capabilities, or lack of experience and knowledge, unless they have been given supervision or instruction concerning use of the appliance by a person responsible for their safety.
12. Children should be supervised to ensure that they do not play with the appliance.

Cleansing and maintenance

1. Switch off the heater and pull out the plug and begin cleansing after the heater cools down completely.
2. Use brushes or dry soft cloth with a little detergent to cleanse the plastic shell.
3. Chemical solvents such as petroleum and alcohol and water are prohibited from cleansing the heater in order to prevent the aging and fracture of plastic shell as well as moisture of the components.